



CERTIFIED GREEN

# PM-2X32T8-UNV-IS-L

## PowerMaster™ T8 Ballast



### PRODUCT FEATURES

<b>STARTING METHOD:</b> Instant	<b>INPUT VOLTAGE:</b> 120-277VAC ± 10%	<b>POWER FACTOR:</b> High	<b>WARRANTY:</b> 5 Years
<b>LAMP CONNECTION:</b> Parallel	<b>INPUT FREQUENCY:</b> 50/60 Hz	<b>BALLAST FACTOR:</b> Low	

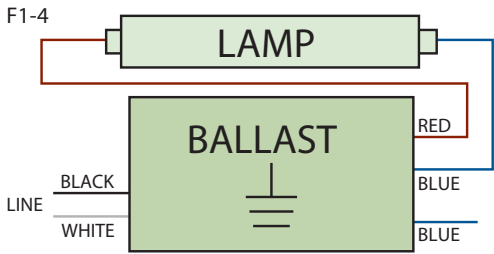
- Sound Rated: A
- Minimum Starting Temperature: 0°F, -18°C
- Maximum Case Temperature: 167°F, 75°C
- Meets FCC Part 18 (Class B) Consumer Limits
- Transient Protection Meets ANSI/IEEE C62.41 Cat. A
- Ballast frequency for all listed lamps: > 40KHz

### ELECTRICAL SPECIFICATIONS

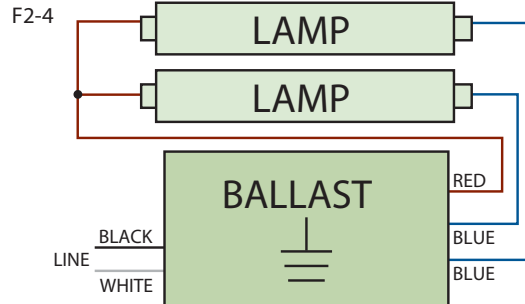
LAMP TYPE	NO. OF LAMPS	INPUT VOLTS	INPUT WATTS	INPUT CURRENT (AMPS)	POWER FACTOR	CREST FACTOR	BALLAST FACTOR	BALLAST EFFICACY FACTOR	MAX THD%	WIRING DIAGRAM
F32T8 32W	2	120	48.0	0.40	0.99	<1.70	0.77	1.60	<10	F2-4
		277	48.0	0.18	0.99	<1.70	0.77	1.60	<10	F2-4
	1	120	30.0	0.25	0.99	<1.70	0.95	3.17	<10	F1-4
		277	30.0	0.11	0.98	<1.70	0.95	3.17	<10	F1-4
F32T8 30W	2	120	46.0	0.39	0.99	<1.70	0.77	1.67	<10	F2-4
		277	46.0	0.17	0.99	<1.70	0.77	1.67	<10	F2-4
	1	120	28.0	0.24	0.99	<1.70	0.92	3.29	<10	F1-4
		277	28.0	0.11	0.97	<1.70	0.92	3.29	<12	F1-4
F32T8 28W	2	120	43.0	0.36	0.99	<1.70	0.77	1.79	<10	F2-4
		277	43.0	0.16	0.99	<1.70	0.77	1.79	<10	F2-4
	1	120	26.0	0.22	0.99	<1.70	0.95	3.65	<10	F1-4
		277	27.0	0.10	0.97	<1.70	0.95	3.52	<12	F1-4
F32T8 25W	2	120	38.0	0.32	0.99	<1.70	0.77	2.03	<10	F2-4
		277	39.0	0.15	0.98	<1.70	0.77	1.97	<10	F2-4
	1	120	24.0	0.20	0.99	<1.70	0.95	3.96	<10	F1-4
		277	25.0	0.10	0.97	<1.70	0.95	3.80	<12	F1-4
F25T8 25W	2	120	36.0	0.31	0.99	<1.70	0.79	2.19	<10	F2-4
		277	37.0	0.14	0.98	<1.70	0.79	2.14	<10	F2-4
	1	120	22.0	0.19	0.99	<1.70	0.92	4.18	<10	F1-4
		277	23.0	0.09	0.97	<1.70	0.92	4.00	<12	F1-4
F17T8 17W	2	120	25.0	0.21	0.99	<1.70	0.80	3.20	<10	F2-4
		277	26.0	0.10	0.97	<1.70	0.80	3.08	<12	F2-4
	1	120	17.0	0.15	0.99	<1.70	1.05	6.18	<10	F1-4
		277	18.0	0.07	0.95	<1.70	1.05	5.83	<12	F1-4
F40T8 40W	1	120	35.0	0.30	0.99	<1.70	0.90	2.57	<10	F1-4
		277	36.0	0.13	0.98	<1.70	0.90	2.50	<10	F1-4

# PowerMaster™

## WIRING DIAGRAMS

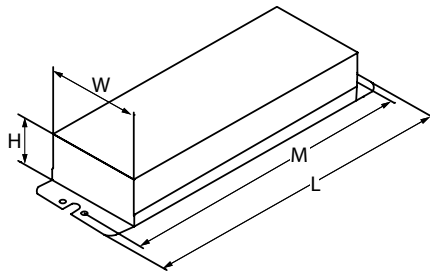


FOR 1 LAMP OPERATION, CAP BLUE LEAD, INSULATE TO 600V



Instant Start T8 ballasts require the use of shunted lampholders/sockets.

## CASE STYLE/DIMENSIONS



### CASE DIMENSIONS

LENGTH: 9.5"
WIDTH: 1.3"
HEIGHT: 1.1"
MOUNTING: 8.9"
UNIT WEIGHT: 0.81 lbs.

### STANDARD LEAD LENGTHS\*

BLACK: 20.00"
WHITE: 20.00"
BLUE: 32.00" X 32.00"
RED: 49.00"

\*Consult EiKO for special lead length requirements.

## HOT SPOT LOCATION

