

# SCRS : LED Surface Canopy Round



project name	type
catalog number	
comments	voltage
approved by	date

41/57  
watts

4393-  
5824  
lumens

102+  
lpw

70+  
CRI

## Features

- Shallow design housing combines contemporary aesthetics with LED performance
- Solid die-cast aluminum construction
- Durable impact-resistant polycarbonate lens
- Unique quick mount design
- UV stabilized bronze powder coat finish
- Extremely low profile is ideal for confined spaces
- 5 year limited warranty

## Performance

- SCRS-2C-U – 4,393 lumens @ 41W, 107lpw
- SCRS-3C-U – 5,824 lumens @ 57W, 102lpw
- 50,000 hour lifetime
- -40°F to 104°F (-40°C to 40°C) operating temperature
- UL/cUL Listed for wet locations
- 5000K CCT
- CRI: >70
- Input voltage: 120~277V

## Applications

- Strip malls
- Entryways
- Garages
- Plazas
- Utility Closets
- Public Restrooms
- Eaves

## Ordering Information

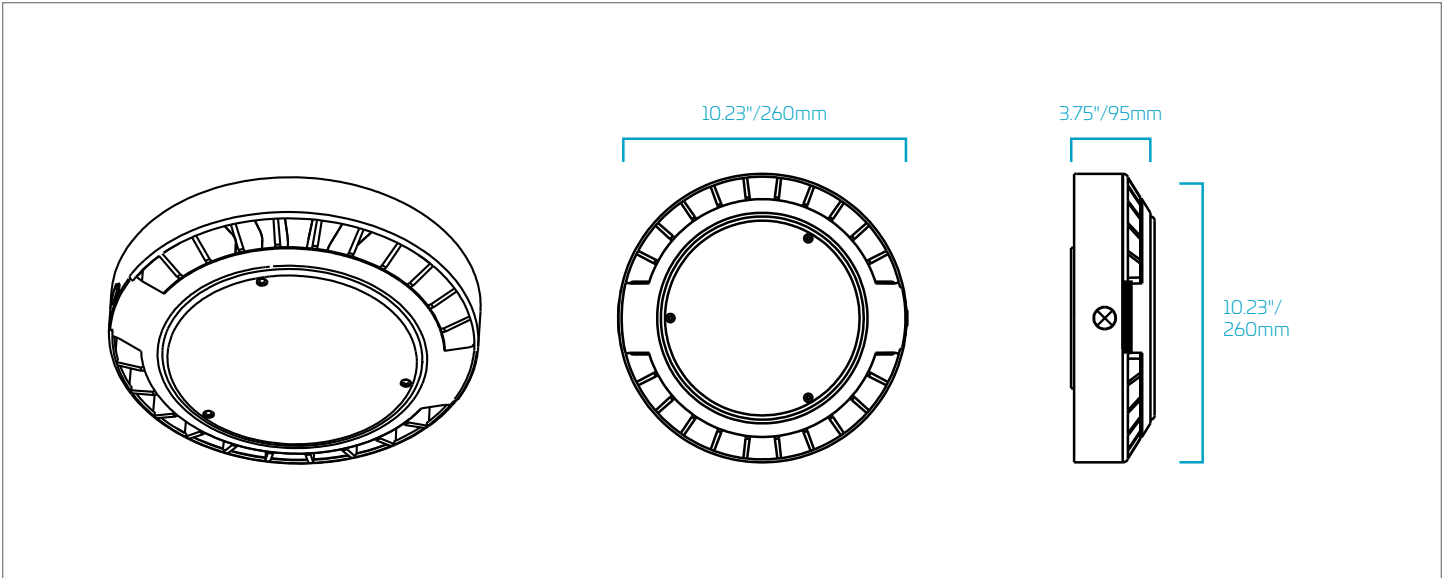
Order Code	Item #	Lm	W	CCT	CRI	Life/Hrs	V	HID Equiv.	DLC
<b>09422</b>	SCRS-2C-U	4,393	41W	5000K	70+	50,000	120-277V	150W	✓
<b>09423</b>	SCRS-3C-U	5,824	57W	5000K	70+	50,000	120-277V	250W	✓

✓DesignLights Consortium® Qualified



# SCRS : LED Surface Canopy Round

## Dimensions



## Accessories (Sold Separately)

Order Code	Litespan Part #	Description
<b>09849</b>	FHSCP-UNV-5WL	5W Emergency Battery Backup
<b>09851</b>	FHSCP-UNV-7.8WL	7.8W Emergency Battery Backup
<b>09850</b>	FHSCP-UNV-10.7WL	10.7W Emergency Battery Backup
<b>09852</b>	FHSCP-UNV-13.7WL	13.7W Emergency Battery Backup
<b>09854</b>	FHSCP-UNV-17WL	17W Emergency Battery Backup

watch > like > follow

