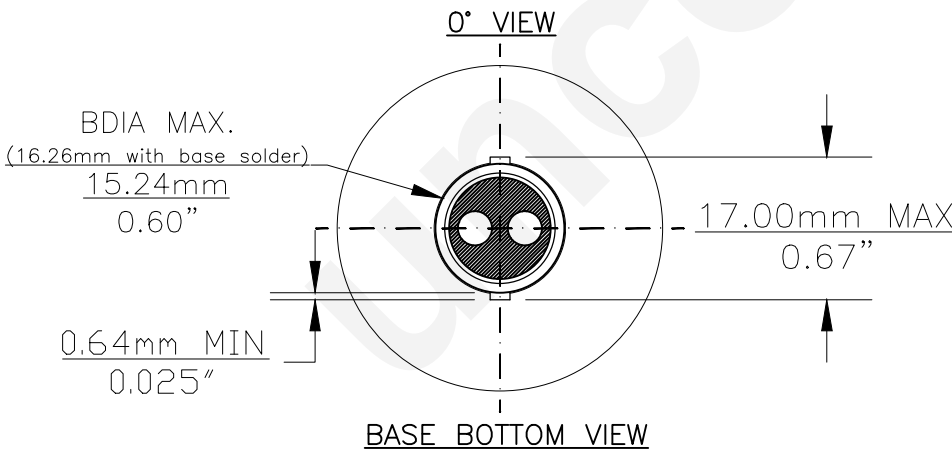
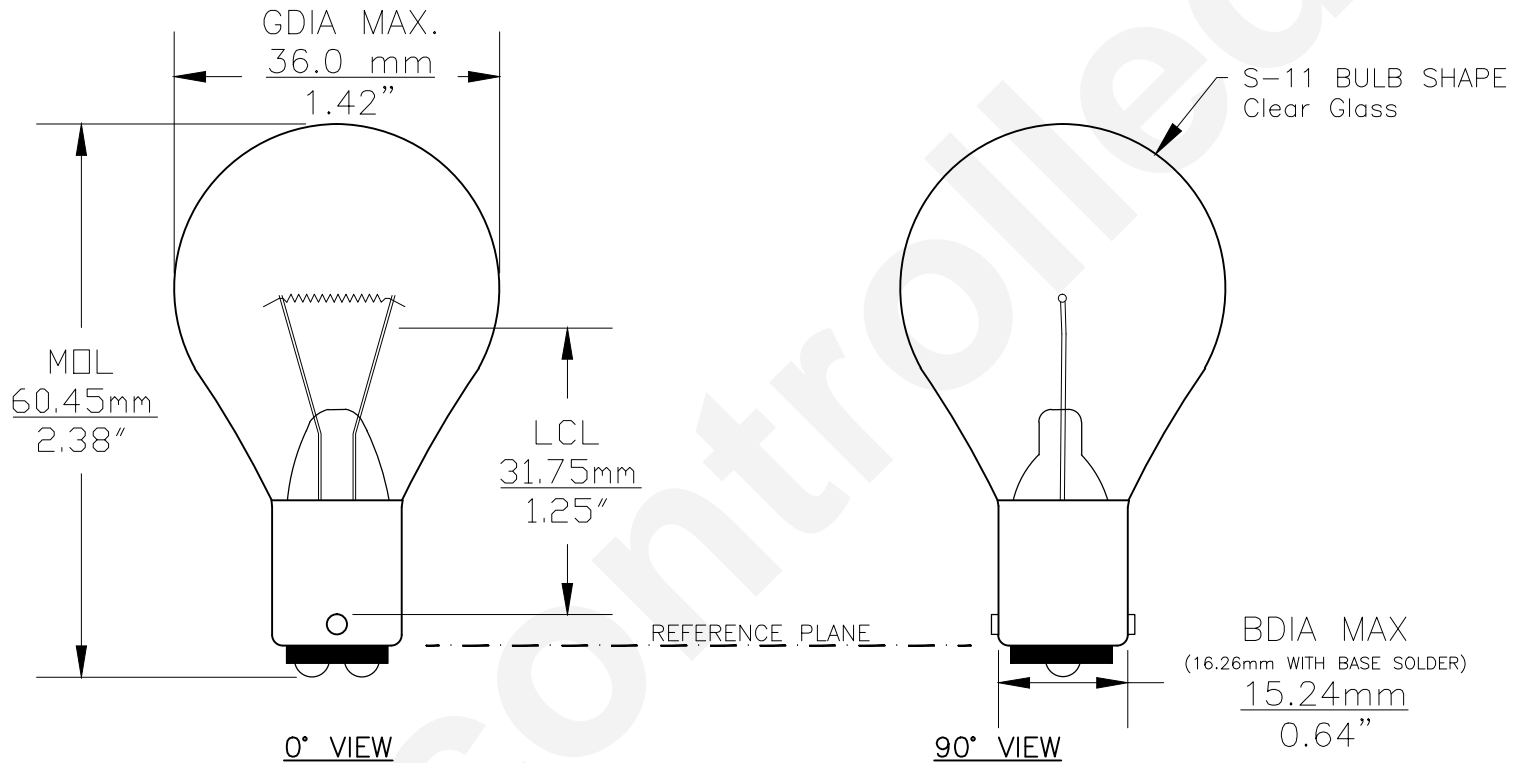




PART NO.	BASE TYPE	DESIGN VOLTS	DESIGN AMPS	MSCD	FILAMENT TYPE	AVERAGE LIFE HOURS	REVISIONS			
							REV #	DESCRIPTION	DATE	APPROVED
1724	D.C. Bayonet (BA15d)	6.2V	4.5±10%	32±20%	C-6	400	1	ISSUED	10/29/2008	D.C.
							2	REDRAWN FOR ADDITIONAL VIEW	10/31/2014	R.M.



Note: Made according to SAE specifications



UNLESS OTHERWISE SPECIFIED: DIMENSIONS ARE IN INCHES TOLERANCES		CEC INDUSTRIES LTD	
DECIMALS	ANGULAR	699 BOND STREET LINCOLNSHIRE, IL 60069	
.XX ± .05	± 0.5°	TITLE LIGHT BULB NO. 1724	
.XXX ± .010		SIZE A	REV 2
FRACTIONAL	± 1/64	FSCM NO.	DWG NO. 1724
DRAWN D.C.	DATE 10/29/2008	SCALE	SHEET 1 OF 1
CHECKED		PLOT SCALE	
DESIGN		FILE 1724.pdf	DRAWING NOT TO SCALE
MATERIAL			