

Technical Information

Xenon Short Arc Lamp

No. 5262

Edition: 08/05 - subject to change

Substitutes: Edition 05/04

Status: preliminary

XBO[®] 2000 W/HTT OFR

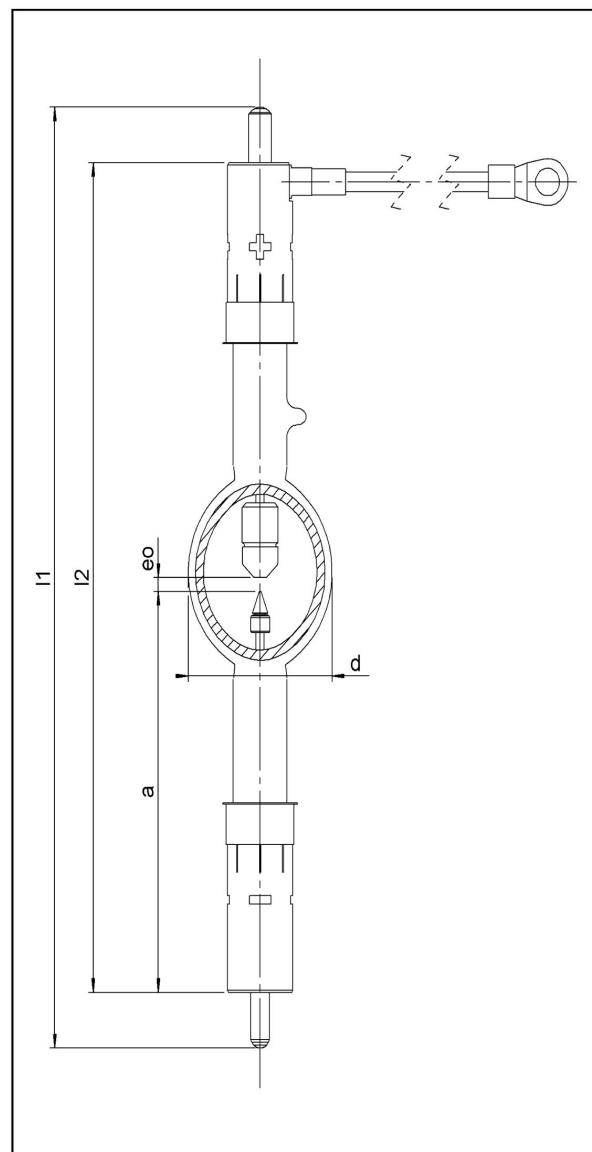
■ Product description

The OSRAM XBO[®] 2000 W/HTT OFR is a DC-operated lamp that is especially suited for applications requiring excellent arc stability and a high luminance. The OSRAM XBO[®] 2000 W/HTT OFR is designed for horizontal burning position (H = Horizontal)

■ Technical data

Order reference	XBO [®] 2000 W/HTT OFR	
Rated lamp wattage	W	2000
Rated lamp voltage	V	24
Rated lamp current (=)	A	80
Current control range	A	50 - 85
Ignition voltage	kV _s	33
Min. open circuit voltage for cold / hot ignition	V	85 / 110
Luminous flux	lm	80000
Luminous intensity	cd	7500
Average luminance	cd/cm ²	75000
Luminous area w x h ^{*)}	mm	1.3 x 4.8
Electrode gap e (cold)	mm	5.8
Lamp length (overall) L ₁	mm	max. 370
Lamp length L ₂	mm	max. 322
LCL a	mm	142,5
Bulb diameter d	mm	52
Average service life	h	3000
Warranty	h	2400
Base	Cathode: SFcX 25-10 Anode: SFcX 25-10	

*) w = luminance half width value; h = height of luminance area (corresponds to electrode gap, hot)



■ Lamp operation

Maximum permissible base temperature	°C	230
Cooling	Forced cooling / fan necessary	
Min. air flow velocity around discharge vessel	m/s	3
Magnetic arc stabilization	required in horizontal burning position	
Burning position	s 30 (vertical ± 30° ; anode up) ; p 30 (horizontal ± 30°)	